

# INSTALLATION INSTRUCTION

## FQ 4" LED - Trimless Remodel Housing

### R4FRRL, R4FSRL



#### WARNING

IMPORTANT: NEVER attempt to do any work without shutting off the electricity.

- Read all instructions before installing.
- System is intended for installation by a qualified electrician in accordance with the National Electrical Code and local regulations.
- Place the wall switch in the "OFF" position.
- Go to the main fuse box, or circuit breaker. Unscrew the fuse(s) or switch "OFF" the circuit breaker switch(es) that control the power to the space that you are working on.

#### AVERTISSEMENT

IMPORTANT: Coupez l'électricité avant TOUTE manipulation.

- Lisez toutes les instructions avant d'installer.
- Système est destiné à être installé par un électricien qualifié en conformité avec le code national de l'électricité et les règlements locaux.
- Placez l'interrupteur mural en position d'arrêt (« OFF »).
- Toujours mettre le fusible ou le disjoncteur en position arrêt dans la pièce ou des travaux électriques sont prévus

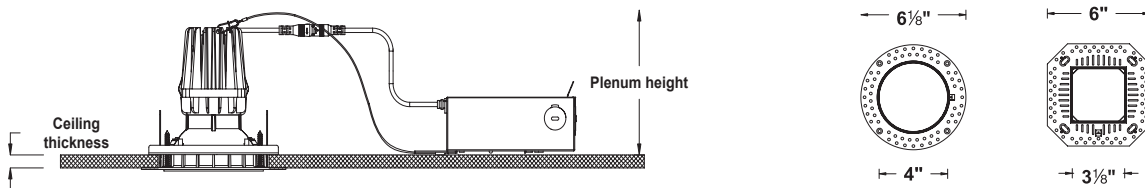
#### CAUTION

All parts must be used as indicated in these instructions. Do not substitute any parts, leave parts out, or use any parts that are worn out or broken. Failure to follow this instruction may invalidate the ETL/cETL listing of this fixture.

#### OVERVIEW:

Housing is for remodel applications. Housing requires a trim for a finished look. Refer to specification sheets for compatible trim options.

#### OVERALL HOUSING DIMENSION



#### MODEL: R4FRRL R4FSRL

Refer to trim spec sheets for housing compatibility.

#### INSTALLATION REQUIREMENT

Ceiling Thickness	Minimum Required Plenum Height
1/2" to 1 1/4"	5 1/2"

#### SPECIFICATIONS

Input:	120-277V, 50/60Hz
Installation:	IC
Dimming:	TRIAC/ELV/0-10V

# INSTALLATION INSTRUCTION

## FQ 4" LED - Trimless Remodel Housing

### R4FRRL, R4FSRL



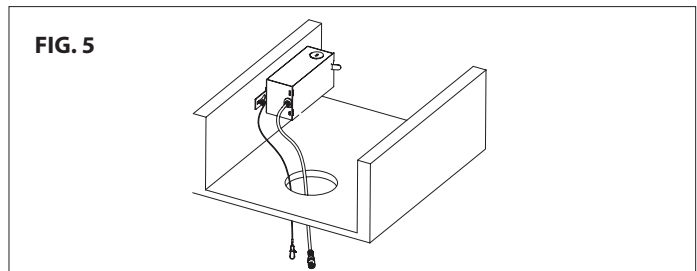
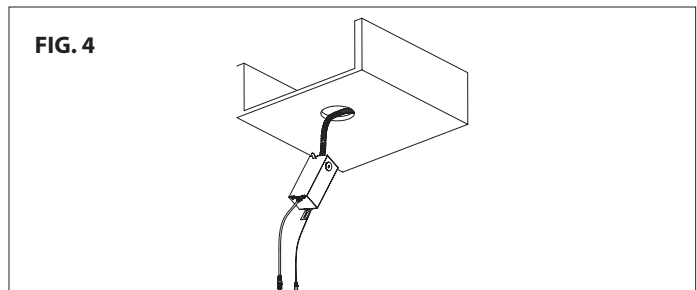
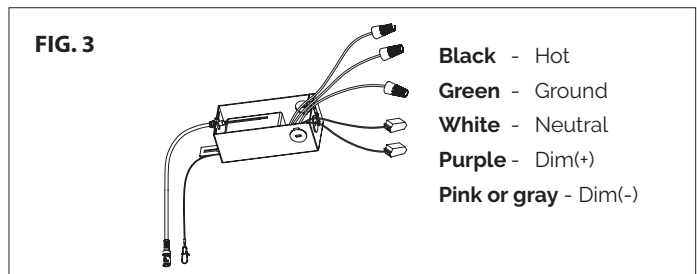
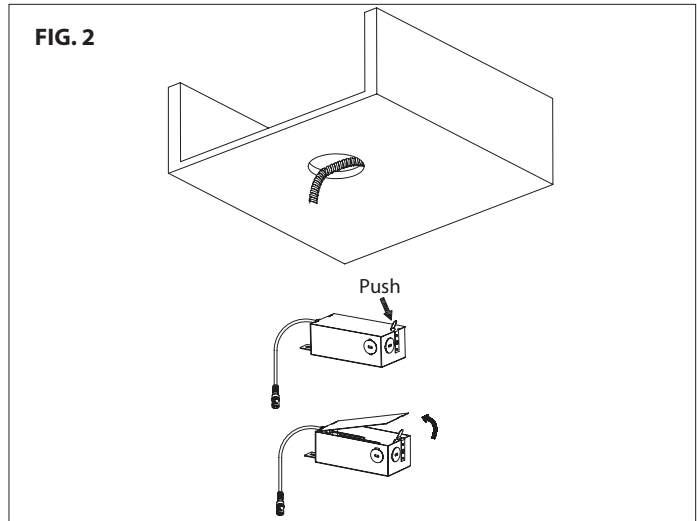
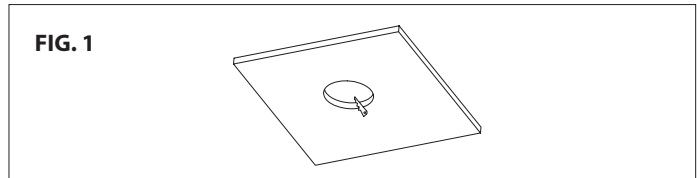
#### INSTALLATION ACCESSORIES

1. At the point of installation, cut a 4 3/4" round hole for a round or square trim (See **FIG. 1**).
2. Pull building supply wires through ceiling cutout and open fixture junction box door (See **FIG. 2**). Remove desired housing knockout and feed building wires into housing using appropriate connector.
3. Connect fixture wires to building wires: insert each supply wire into appropriate junction box connector. This fixture features electronic low voltage (ELV) or 0-10V dimming capabilities. To utilize ELV, wire black (line hot), white (line neutral), and green (ground) in accordance to dimmer specifications.

To utilize 0-10V dimming, wire purple (dim+), pink or gray (dim-), black (line hot), white (line neutral) and green (ground) in accordance to dimmer specifications.

When not using a dimmer, connect black fixture wire to hot, white fixture wire to neutral and green fixture wire to ground. Leave all other wires capped individually (See **FIG. 3**).

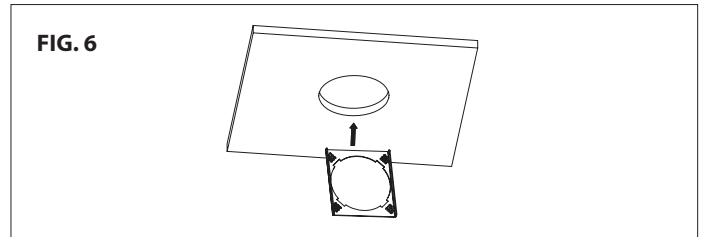
4. Place all wiring and connectors back in junction box and replace the junction box's cover (See **FIG. 4**).
5. Guide junction box through the cut hole and secure appropriately using the external key hole (See **FIG. 5**).



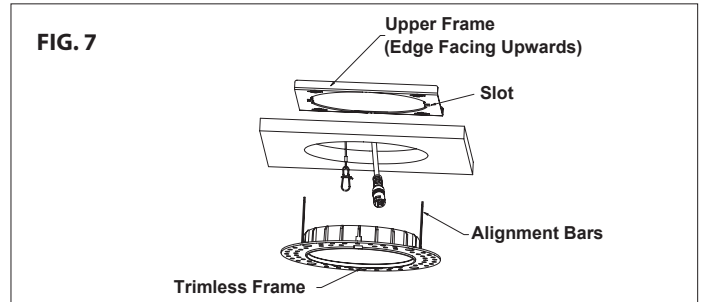
**INSTALLATION INSTRUCTION**  
**FQ 4" LED - Trimless Remodel Housing**  
**R4FRRL, R4FSRL**



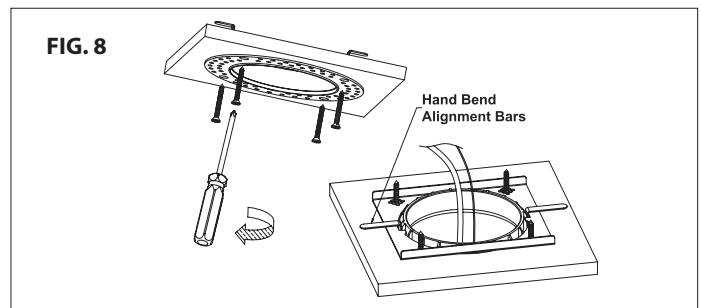
6. Insert upper frame through ceiling opening (See **FIG. 6**).



7. Raise trimless frame to ceiling cut out and insert alignment bars into upper frame alignment slots (See **FIG. 7**).

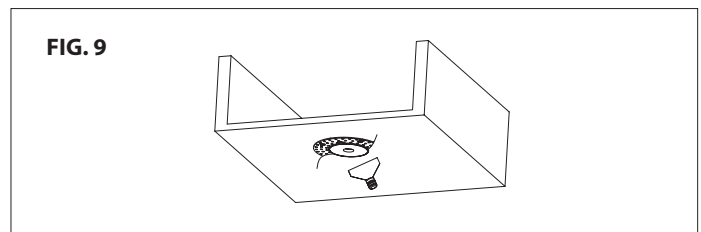


8. With upper frame and trimless frame flush with both ceiling surfaces, hand bend the alignment bars parallel to ceiling (See **FIG. 8**).



9. Insert and tighten four provided screws through countersink holes on trimless frame, through ceiling and into holes in upper frame. Do not over tighten screws (See **FIG. 8**).

10. Insert plaster shield inside trim opening. Apply plaster or spackle over trimless frame and sand surface dry for finished look (See **FIG. 9**).



11. Remove the plaster shield when finishing is complete (See **FIG. 10**).

12. Connect safety cable and power connector and install the trim assembly into the ceiling. Refer to installation instructions for appropriate trims to complete the installation (See **FIG. 11**).

